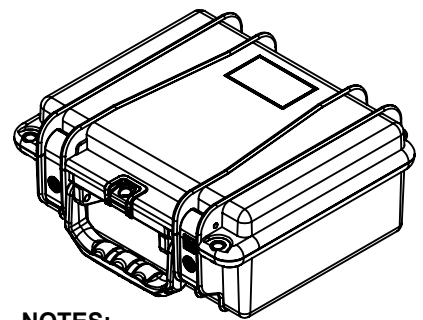
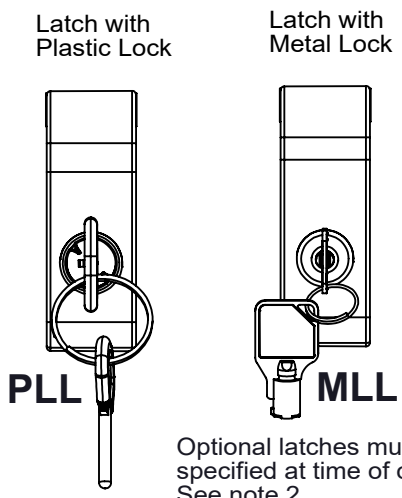
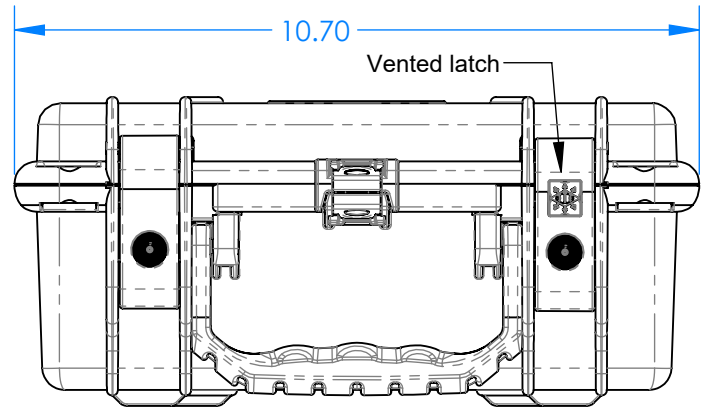


SECTION A-A



NOTES:

- 1) Max. usable inside dimensions are: 9.25" X 7.10" X 4.10"
- 2) With Metal Lock Latches p/n SE300ML and Plastic Lock Latches p/n SE300PL are optional.
- 3) Weight empty/Foam: 2.45/2.65 lb.  
Buoyancy: 10 lb.  
Weight Capacity: 30 lb.

# 7351 Top Panel for 300

